



# Ifö Cera WC unit, Wall-hung, dual flush



	Ifö no.
Ifö Cera WC unit, wall-hung	38930
Ifö Cera WC unit, wall-hung, refurbishment model	38940

Available in the following colours: White, silk white, pearl white and cera grey. The 3894 is available in white only.

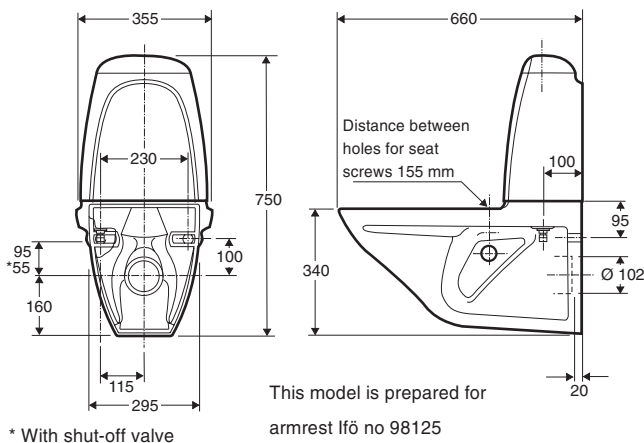
The delivery includes:

- Bag package, Ifö no. 98212 containing:
  - Mounting parts, Ifö no. 99629 (M12 nuts, lockwashers, washers and caps)
  - Mounting template, Ifö no. 96192
  - Operating and maintenance instructions, Ifö no. 91390
- Rubber sleeve, Ifö no. 96292
- Seat alternatives, see page 2:25

All dimensions are in mm.

## 3893, Wall-hung (Type-approved dual flush)

ENVIRONMENTAL  
BUTTON

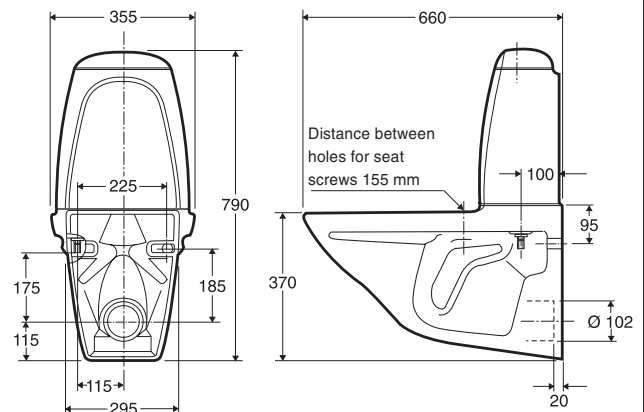


**Adjustable between 3 and 8 litres**  
**Flush volume preset at the factory to 6/3 litres**

Dimensional tolerance  $\pm 2\%$

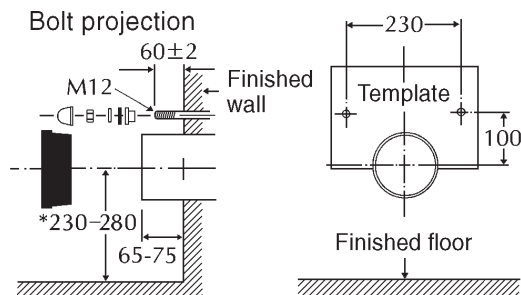
## 3894, Wall-hung refurbishment model (Type-approved dual flush)

ENVIRONMENTAL  
BUTTON



**Adjustable between 3 and 8 litres**  
**Flush volume preset at the factory to 6/3 litres**

Dimensional tolerance  $\pm 2\%$



The mounting bolts must be capable of withstanding a pull-out force of 5000 N (500 kg) per bolt. The bolts are not supplied. A fixture should be used for mounting the unit on a plasterboard wall. The fixture shall have a support area against the wall board corresponding to the contact area of the WC-bowl

The outside diameter of the WC connection is 125 mm.  
\* 230 mm from the floor to the centre of the outlet gives a sitting height of 410 mm and a clear space of 70 mm between the porcelain and the floor.  
\* 280 mm gives a sitting height of 460 mm and a clear space of 120 mm.

N.B. Do not connect the bowl horizontally to a vertical sewer main if there are other outlets above. See the sketch on page 2:12